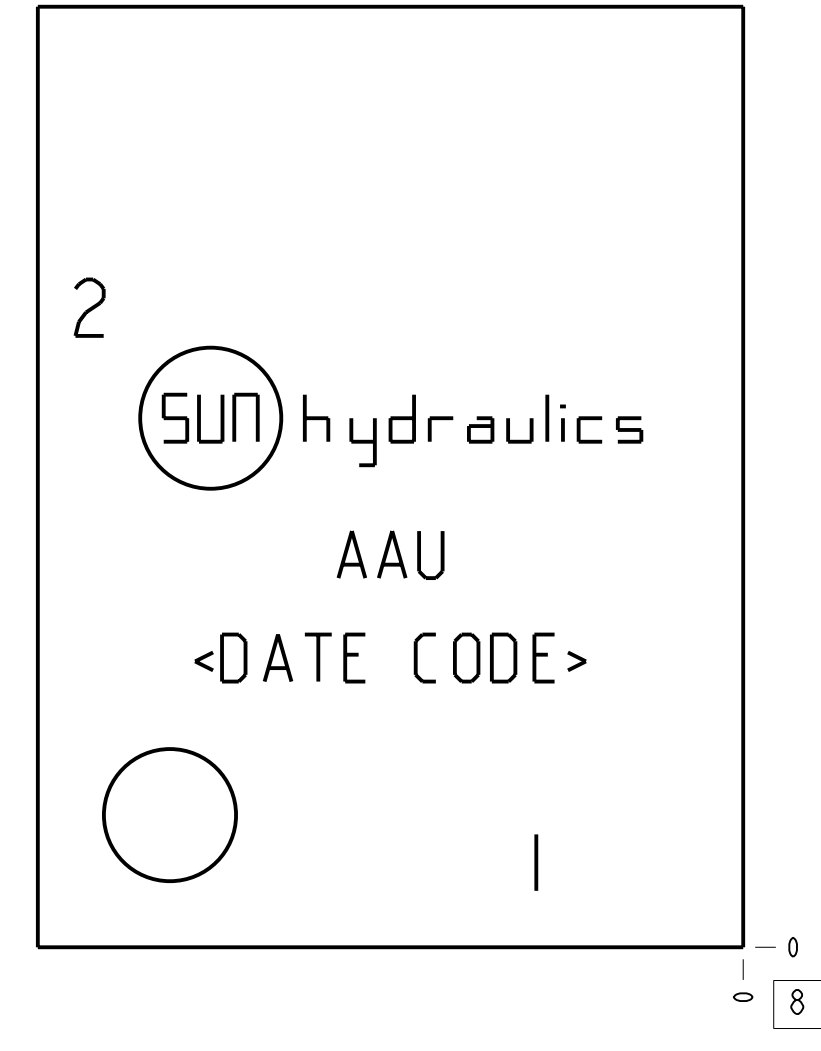
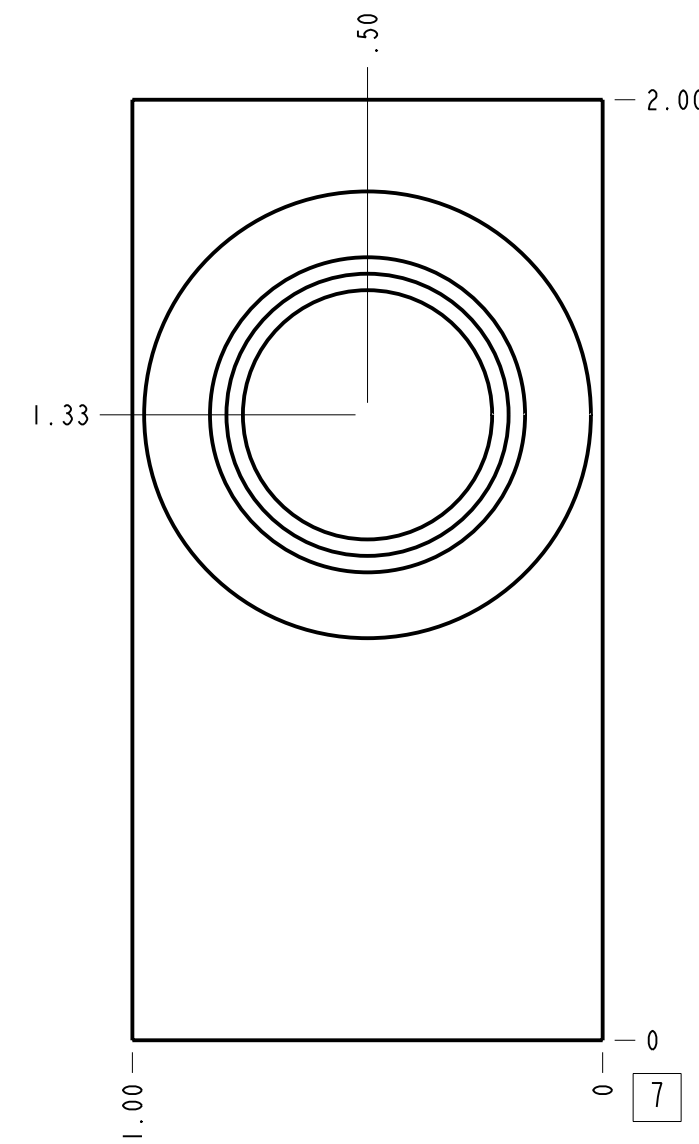
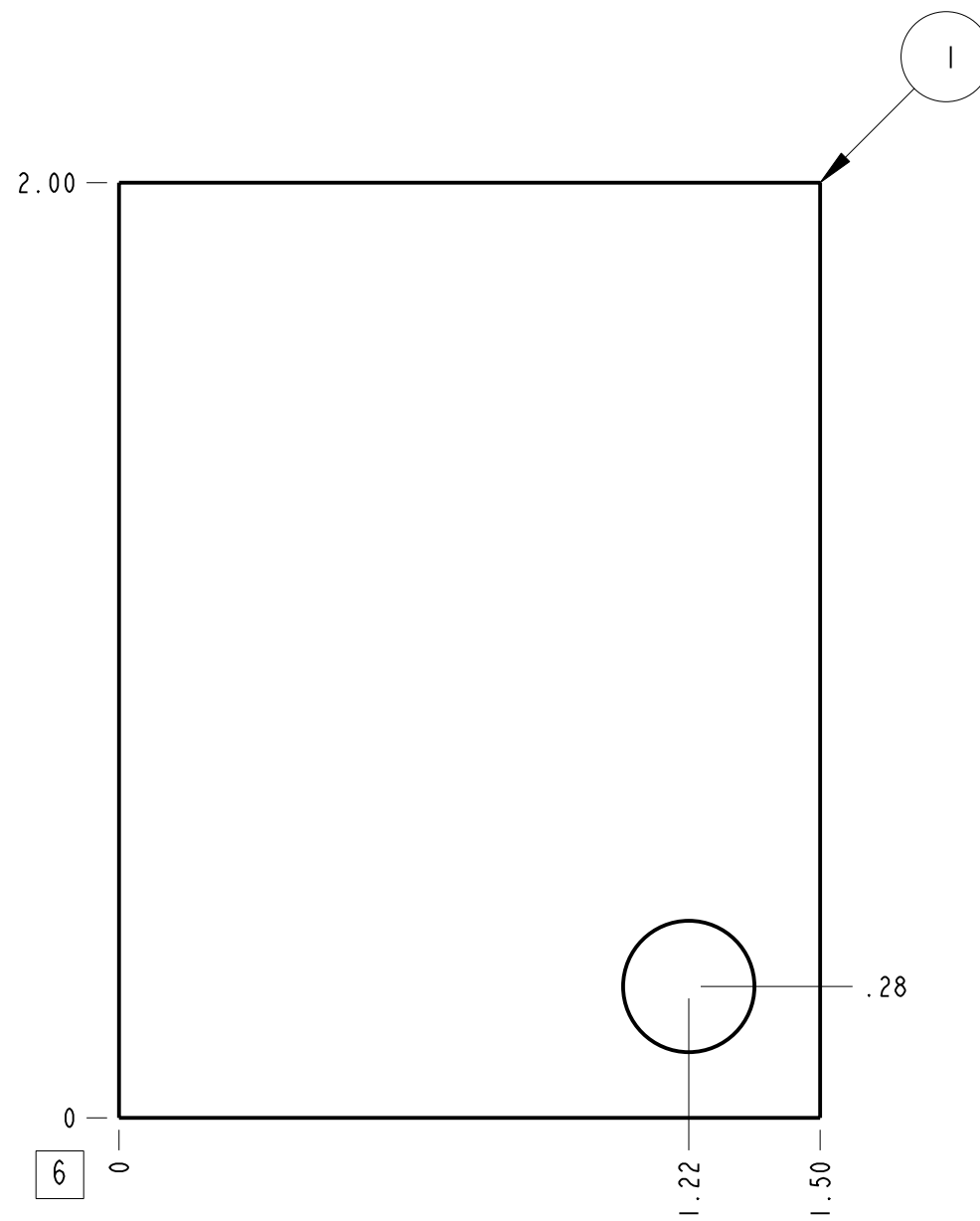
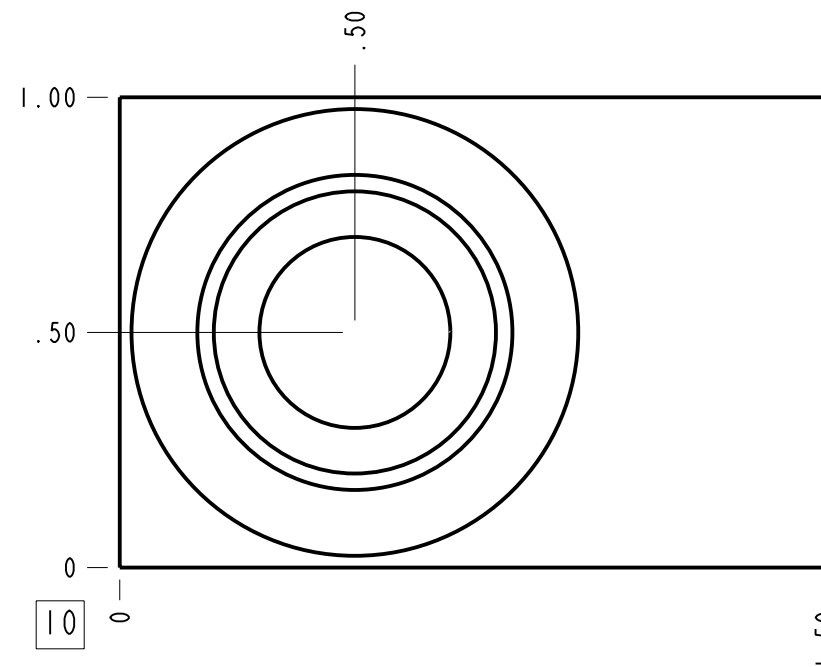


Technical Data	U.S. Units	Metric Units
Cavity	T-162A	
Body Features	Ninety degree	
Body Type	Line mount	
Interface	None	
Open Cavity Quantity	1	
Weight	0.214 lb.	0,097 kg.
Mounting Hole Diameter	.28 in.	7,1 mm
Mounting Hole Quantity	1	



Notes

- Important: Carefully consider the maximum system pressure. The pressure rating of the manifold is dependent on the manifold material, with the port type/size a secondary consideration. Manifolds constructed of aluminum are not rated for pressures higher than 3000 psi (210 bar), regardless of the port type/size specified.
- This drawing is for reference only. It is generated by an automated process and does not fall under Sun's document control process.



Port Headings		
Product	Port	Size
AAU	All Ports	3/8" BSPP

1	153-759-006	6061-T6 ALUMINUM	BODY	1	
ITEM	PART NO.	SETTING	MATERIAL	PART NAME	QTY
MODEL	AAU		ALL DIMENSIONS IN INCH VIEWS ARE THIRD ANGLE		FIRST ANGLE THIRD ANGLE
DESCRIPTION	T-162A Line mount Ninety degree	DATE Apr-25-24	SCALE 2.449	DWG SIZE C	SHEET 1

