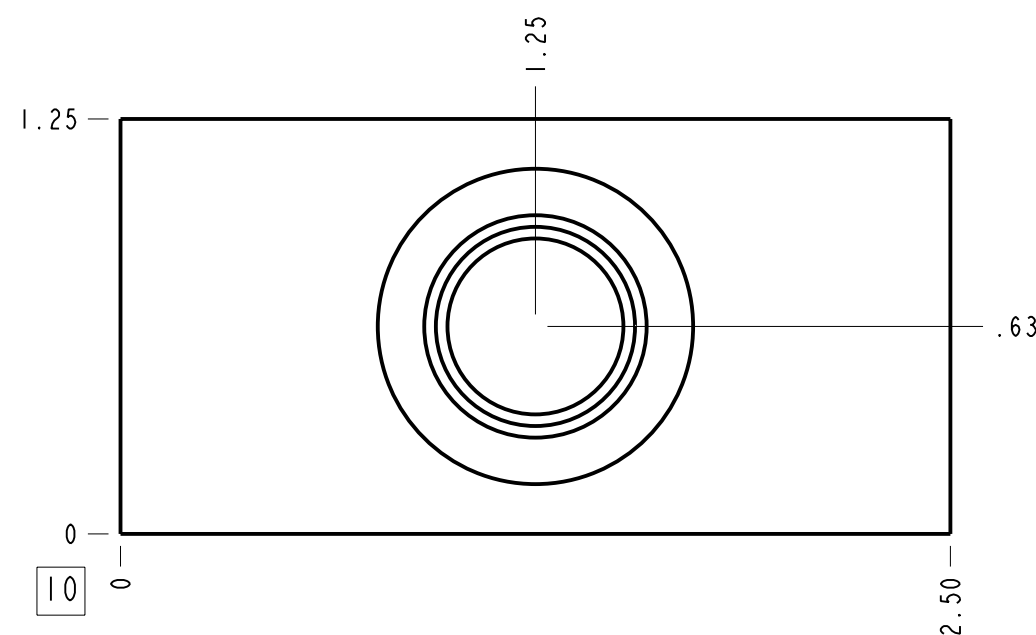
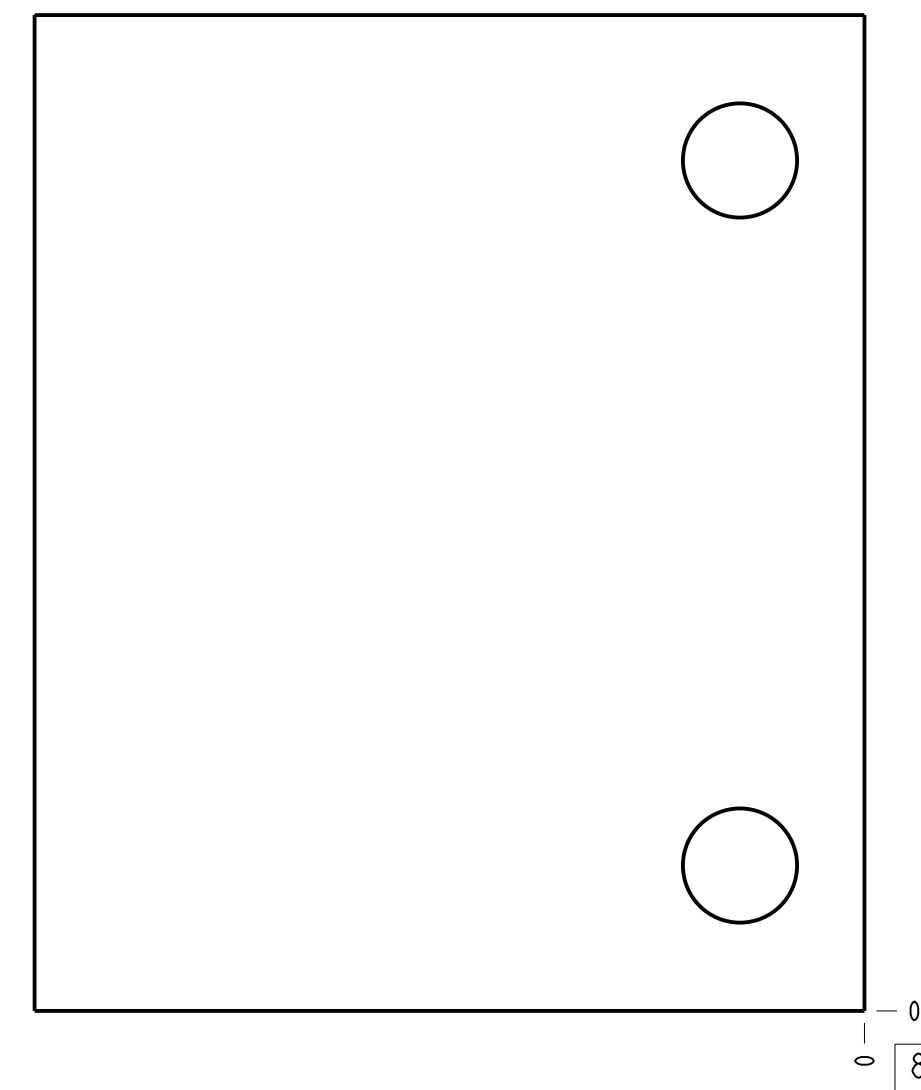
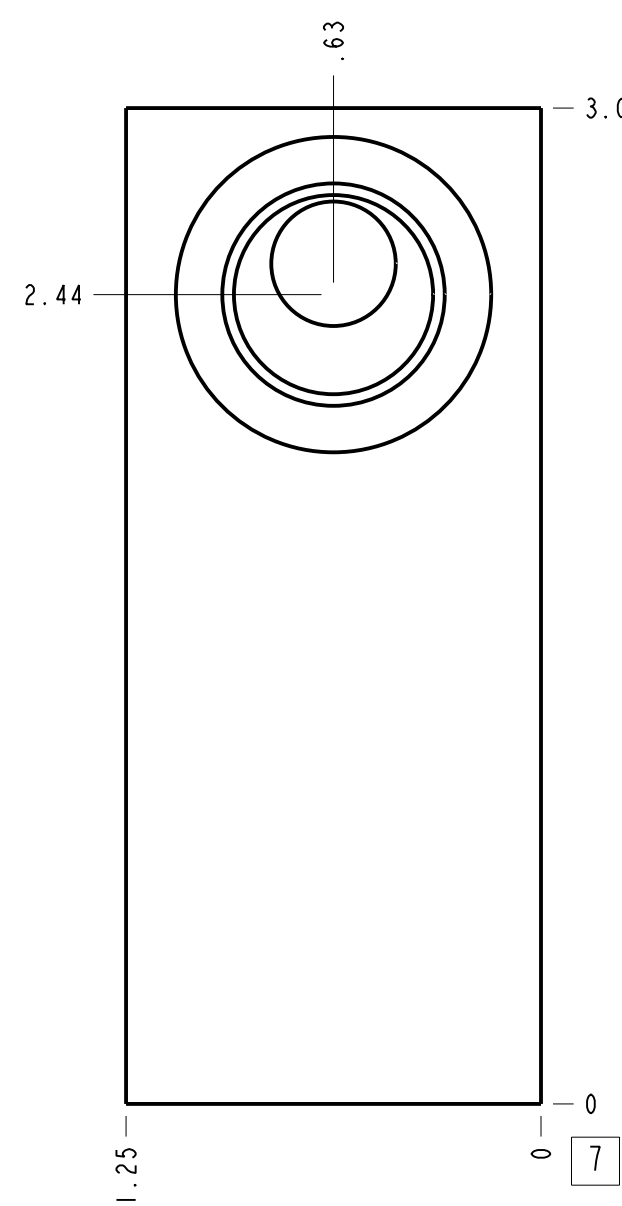
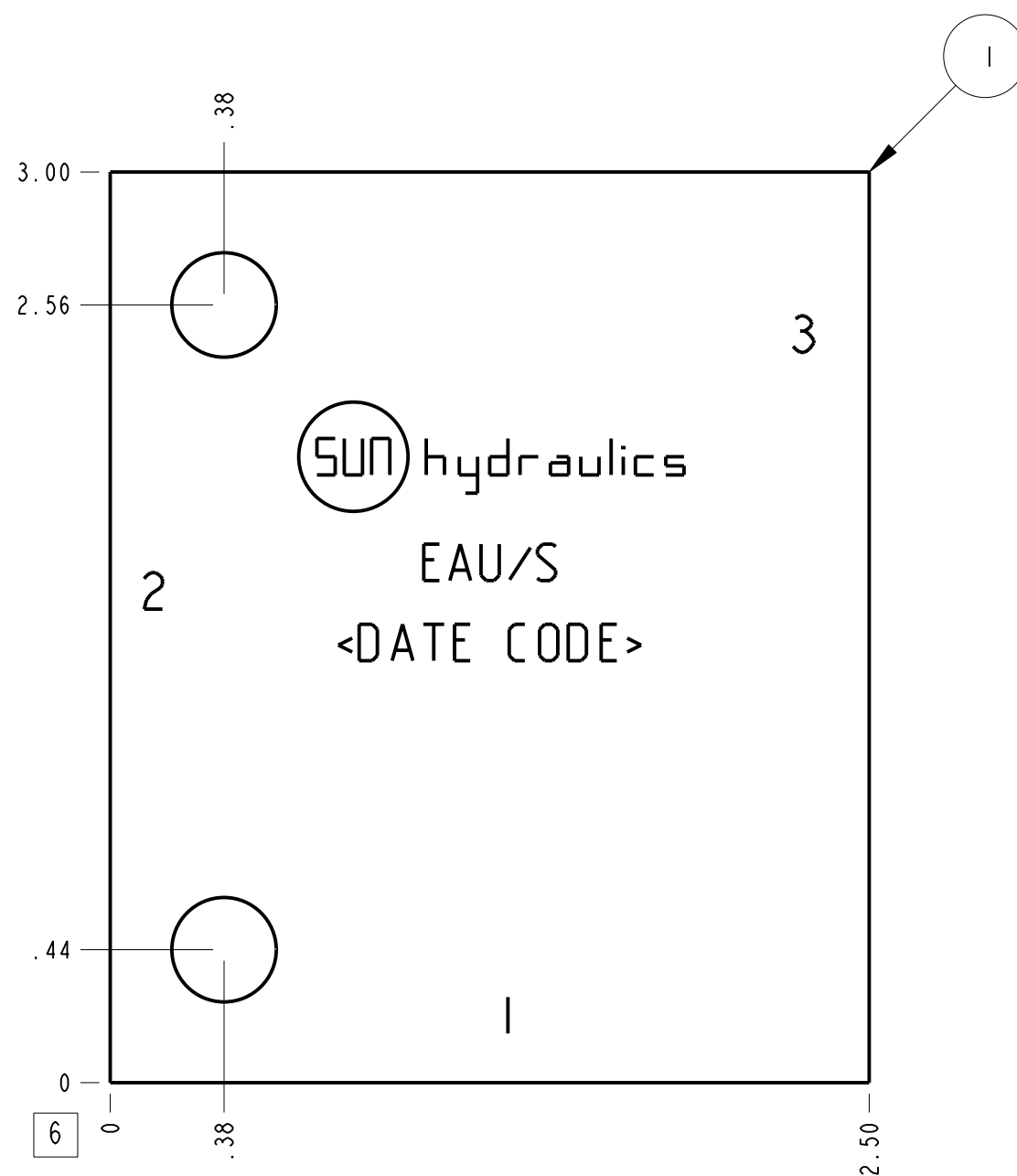
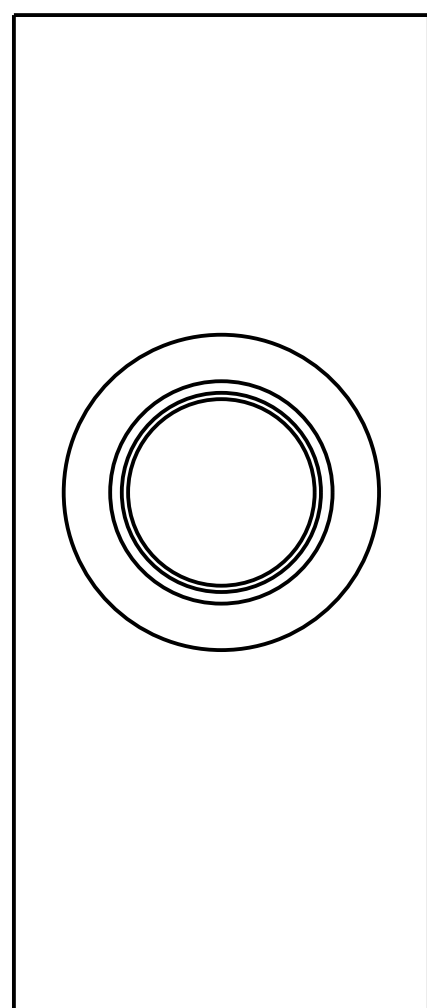
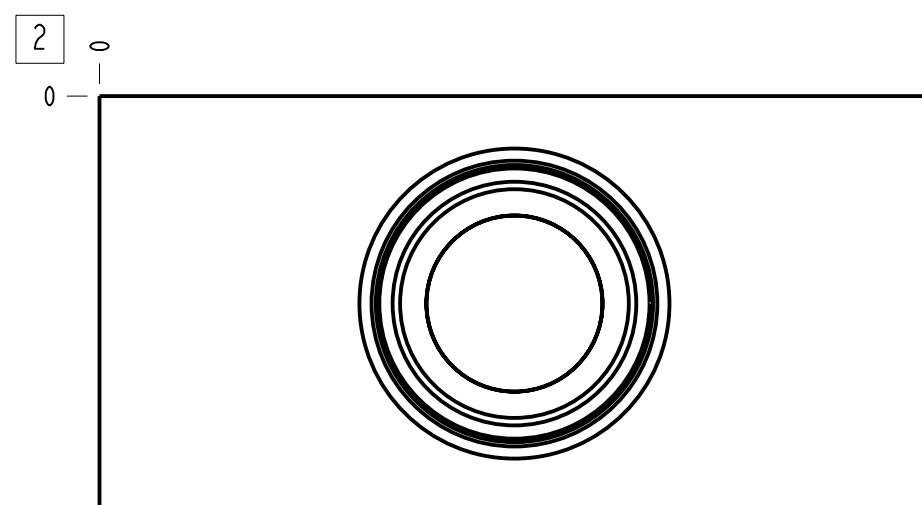


Technical Data	U.S. Units	Metric Units
Cavity	T-11A	
Body Features	Ninety degree with high capacity port 3	
Body Type	Line mount	
Interface	None	
Open Cavity Quantity	1	
Weight	1.899 lb.	0.861 kg.
Mounting Hole Diameter	.34 in.	8.6 mm
Mounting Hole Depth	Through	
Mounting Hole Quantity	2	



Notes

- Important: Carefully consider the maximum system pressure. The pressure rating of the manifold is dependent on the manifold material, with the port type/size a secondary consideration. Manifolds constructed of aluminum are not rated for pressures higher than 3000 psi (210 bar), regardless of the port type/size specified.
- This drawing is for reference only. It is generated by an automated process and does not fall under Sun's document control process.

Port Headings		
Product	Port	Size
EAU/S	All Ports	3/8" BSPP

ITEM	150-580-005	SETTING	DUCTILE IRON	BODY	QTY
MODEL	EAU/S				
DESCRIPTION	T-11A Line mount Ninety degree with high capacity port 3		ALL DIMENSIONS IN INCH VIEWS ARE THIRD ANGLE	FIRST ANGLE THIRD ANGLE	
	DATE	SCALE	DWG SIZE	SHEET	
	Oct-23-23	1.729	C	1	

